

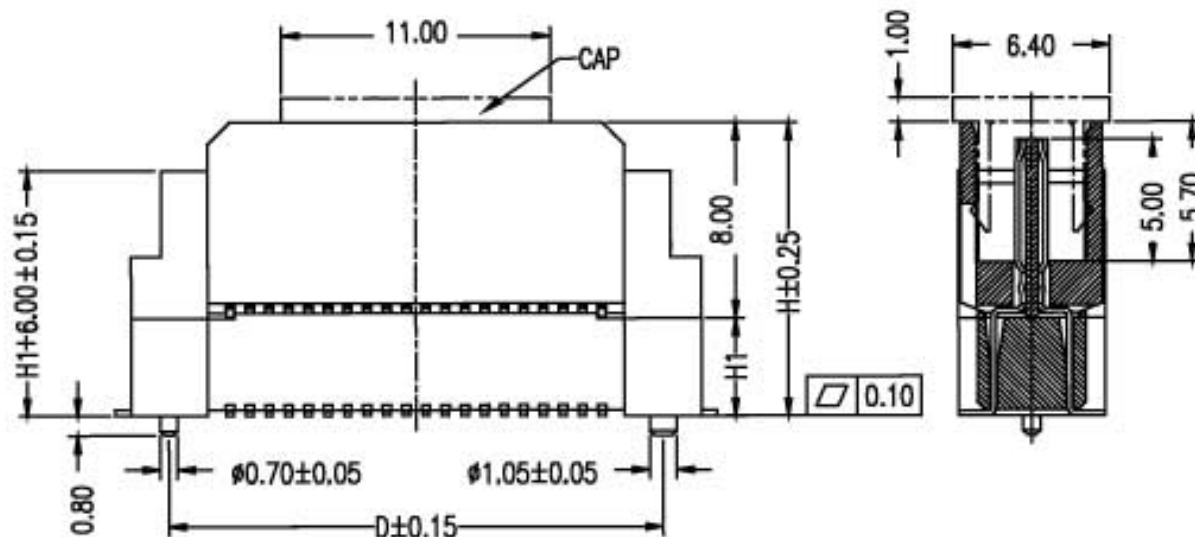
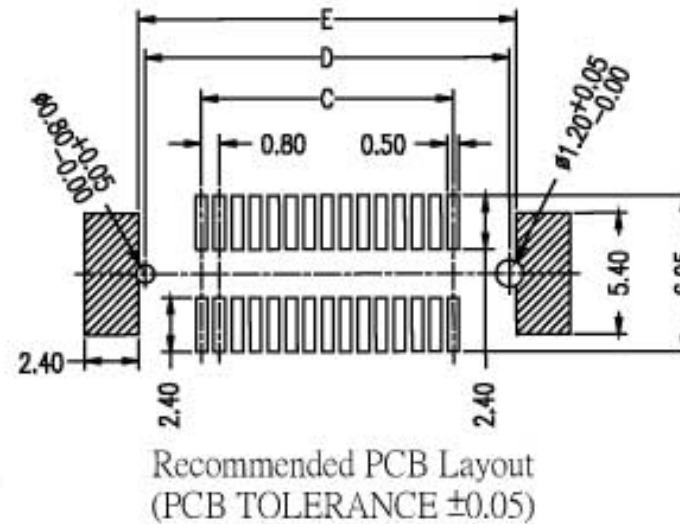
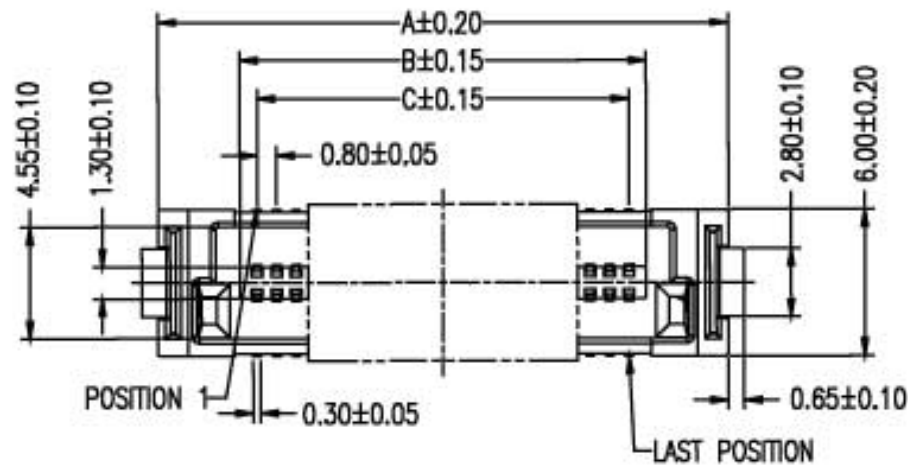
# Board To Board Male 0.8mm H=8.0/11.0/12.0/13.0/14.0mm

## Specifications

Current Rate: 0.5 AMP  
 Insulation Resistance: 500MΩ Min.  
 Contact Resistance: 30mΩ Max.  
 Dielectric Voltage: 500V AC for one minute  
 Operation Temperature: -20°C to +105°C

## Material

Insulator: Polyester, UL 94V-0  
 ©Standard: LCP  
 Terminal: Copper Alloy  
 Plating: Selective Plated



Dim. H	Dim. H1
8.00	---
11.00	3.00
12.00	4.00
13.00	5.00
14.00	6.00

No. of Contacts	Dim. A	Dim. B	Dim. C	Dim. D	Dim. E
20	15.30	8.80	7.20	12.20	12.80
30	19.30	12.80	11.20	16.20	16.80
40	23.30	16.80	15.20	20.20	20.80
60	31.30	24.80	23.20	28.20	28.80
80	39.30	32.80	31.20	36.20	36.80
100	47.30	40.80	39.20	44.20	44.80
120	55.30	48.80	47.20	52.20	52.80
160	71.30	64.80	63.20	68.20	68.80